

Figure 4. Semitrailer, low bed: wrecker, 270-right rear view.

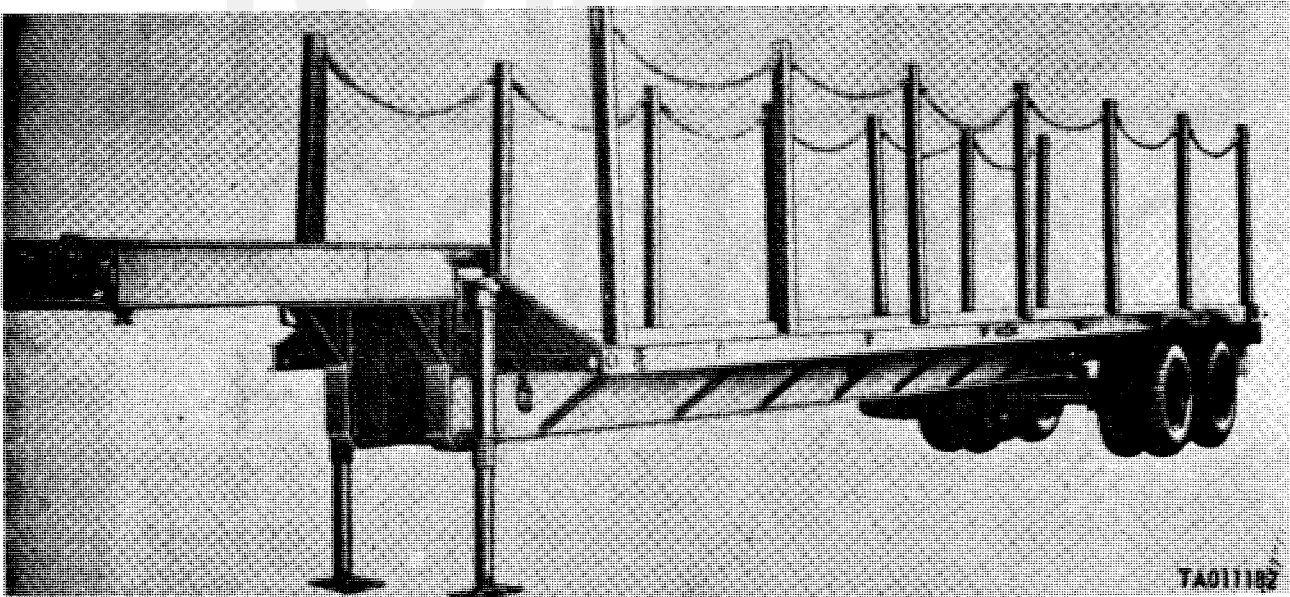


Figure 5. Semitrailer, low bed: wrecker, M269A1-left front view.

(1) SMR CODE	(2) FEDERAL STOCK NUMBER	(3) DESCRIPTION REFERENCE NUMBER & MFR CODE	(4) UNIT OF MEAS	(5) QTY INC IN UNIT	(6) 15-DAY ORGANIZATION MAINTENANCE ALLOWANCE				(7) 30-DAY DS MAINTENANCE ALLOWANCE			(8) 30-DAY GS MAINTENANCE ALLOWANCE			(9) 1-YR. ALW PER 100 EQUIP CNTGCGY PLANNING	(10) ILLUSTRATION	
					(A) 1-5	(B) 6-20	(C) 21-50	(D) 51-100	(A) 1-20	(B) 21-50	(C) 51-100	(A) 1-20	(B) 21-50	(C) 51-100		(A) FIG NO	(B) ITEM NO
PAOZZ	5310-053-7808	NUT, CAP, SELF-LOCKING, HEX: 1 1/8-16NF-2, LB 537808 (24617)	EA	20	*	*	*	*	*	*	*	*	*	*	25	22	
PAOZZ	5310-880-2005	NUT, CAP, HEX: 1 1/8 -16NF-2, RH MS51983-4 (96906)	EA	20	*	*	*	*	*	*	*	*	*	*	25	22	
PAOZZ	2530-693-1029	NUT, CAP: 3/8-16NF-2. LB INNER THD, 11/8-16NS-3. LH OUTER THD 537810 (81793)	EA	20	*	*	*	*	*	*	*	*	*	*	25	23	
PAOZZ	2530-359-1162	NUT, CAP: 3/8-16NF-2, RH INNER THD. 1-1/8-16NS-3 RH OUTER THD 537809 (24617)	EA	20	*	*	*	*	*	*	*	*	*	*	25	23	
PAOZZ	5306-797-9320	BOLT, RIBBED: 3/8-16NF X 3. LH MS51946-5 (96906)	EA	20	*	*	*	*	*	*	*	*	*	*	25	24	
PAOZZ	5306-740-9555	BOLT, RIBBED: 3/8-16NF X 3. RH MS51946-6 (96906)	EA	20	*	*	*	*	*	*	*	*	*	*	25	24	
PAOZZ	2530-740-9395	HUB ASSY: W BRG CUPS A333U801 (78500)	EA	4	*	*	*	*	*	*	*	*	*	*	25		
PAOZZ	5310-053-7808	1311-HUBS AND DRUMS NUT, PLAIN, HEX: 11/8-16NF-2. LH THD 537808 (24617)	EA	20	*	*	*	*	*	*	*	*	*	*	26	1	
PAOZZ	5310-880-2005	NUT, PLAIN, HEX: 11/8-16NF-2, RH THD MS51983-4 (96906)	EA	20	*	*	*	*	*	*	*	*	*	*	26	1	
PAOZZ	2530-359-1162	NUT, CAP, HEX: 3/8-16NF-2, LH INNER THD. 11/8- 16NS-3 OUTER THD 537810 (81793)	EA	20	*	*	*	*	*	*	*	*	*	*	26	2	
PAOZZ	2530-693-1029	NUT, CAP, HEX: 3/8-16NF-2 INNER THD. 11/8-16NS- 3 OUTER THD 537809 (24617)	EA	20	*	*	*	*	*	*	*	*	*	*	26	2	
PAOZZ	5305-225-8494	SCREW, CAP, HEX HD: 5 16-18UNC-2A X 1/2 MS90725-29 (96906)	EA	24	*	*	*	*	*	*	*	*	*	*	26	3	
PAOZZ	5310-407-9566	WASHER, LOCK, SPLIT: 5 15 ID MS35338-45 (96906)	EA	24	*	*	*	*	*	*	*	*	*	*	26	4	
PAOZZ	2530-287-8220	CAP, GREASE: WHEEL HUB 8710725 (19207)	EA	4	*	*	*	*	*	*	*	*	*	*	26	5	
PAOZZ	5330-290-8521	GASKET, GREASE CAP: CORK 8710726 (19207)	EA	4	*	*	*	*	*	*	*	*	*	*	26	6	
PAOZZ	5310-353-2427	NUT, PLAIN, OCTAGON: OUTER WHEEL BRG JAM 7979263 (19207)	EA	4	*	*	*	*	*	*	*	*	*	*	26	7	
PAOZZ	5310-700-7089	WASHER, KEY: HUB BRG ADJ LOCK 5139123 (19207)	EA	4	*	*	*	*	*	*	*	*	*	*	26	8	

Oshkosh
Equipment Sales

Current part is item (24) on diagram. Available at www.oshkoshequipment.com

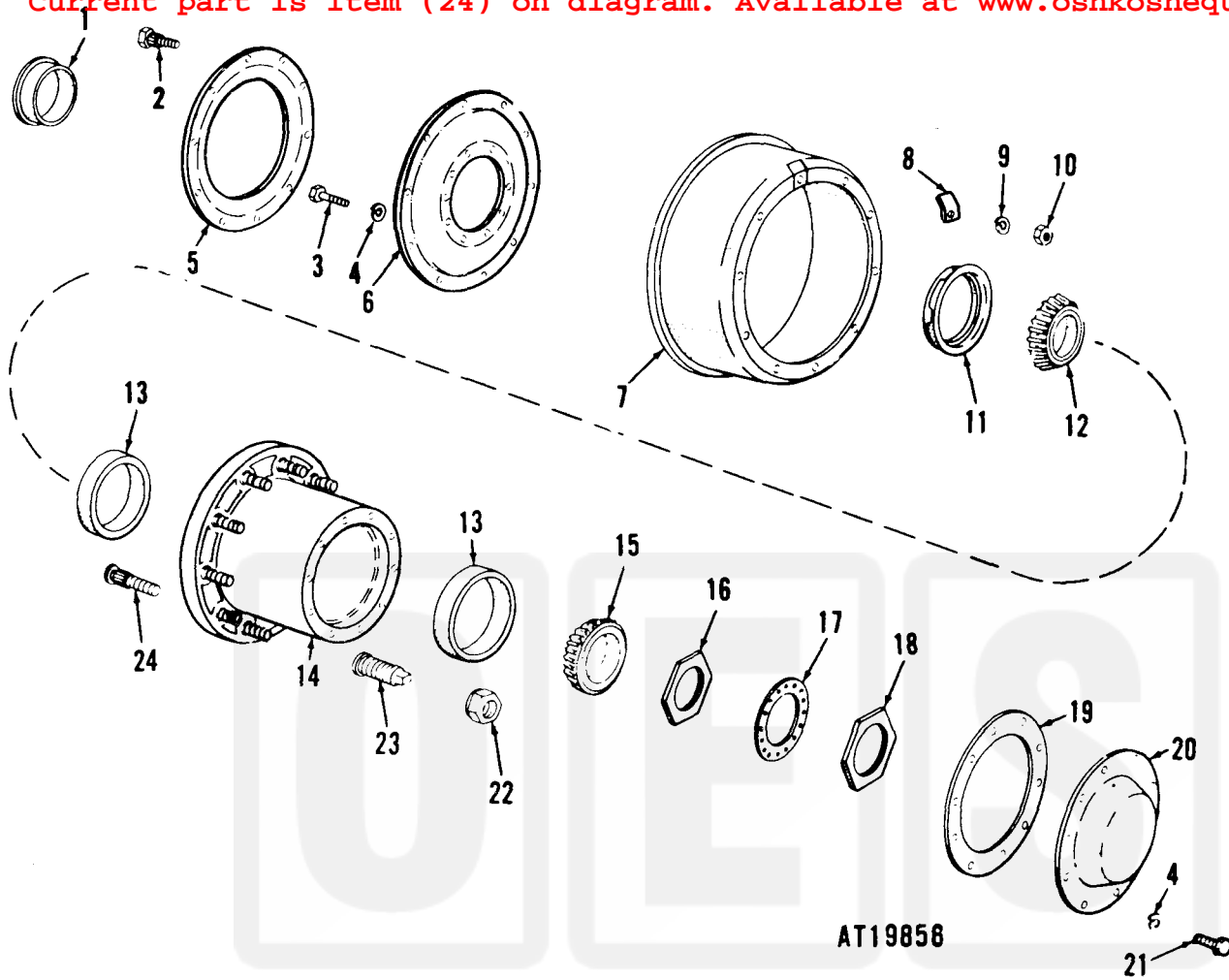


Figure 25. Hub and drum assembly—M269, M270.

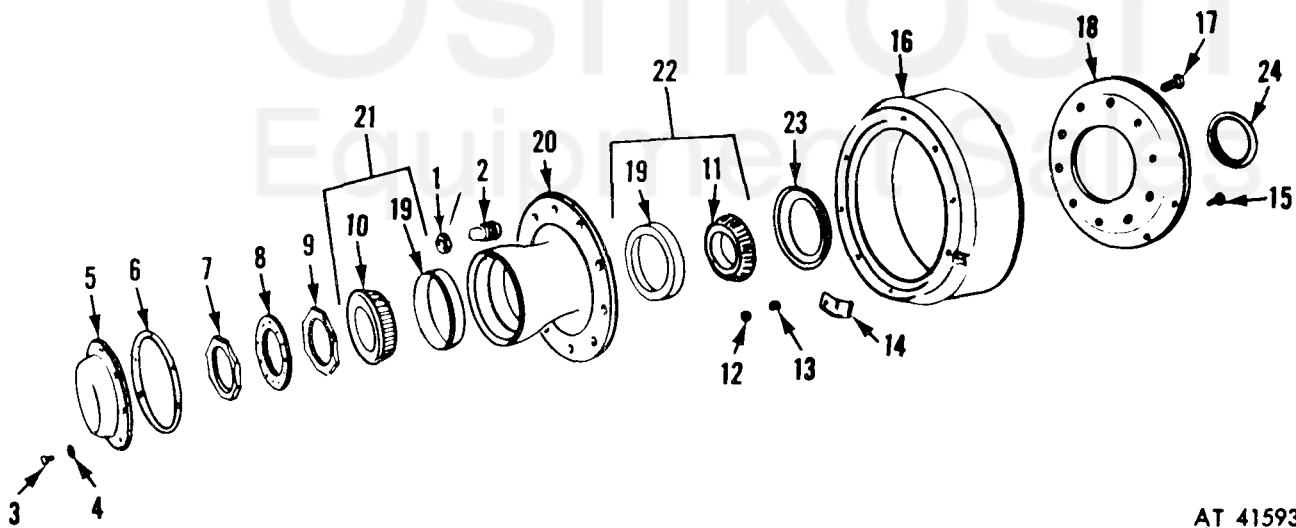


Figure 26. Hub and drum assembly—269A1, M270A1.

Current part is item (24) on diagram. Available at www.oshkoshequipment.com